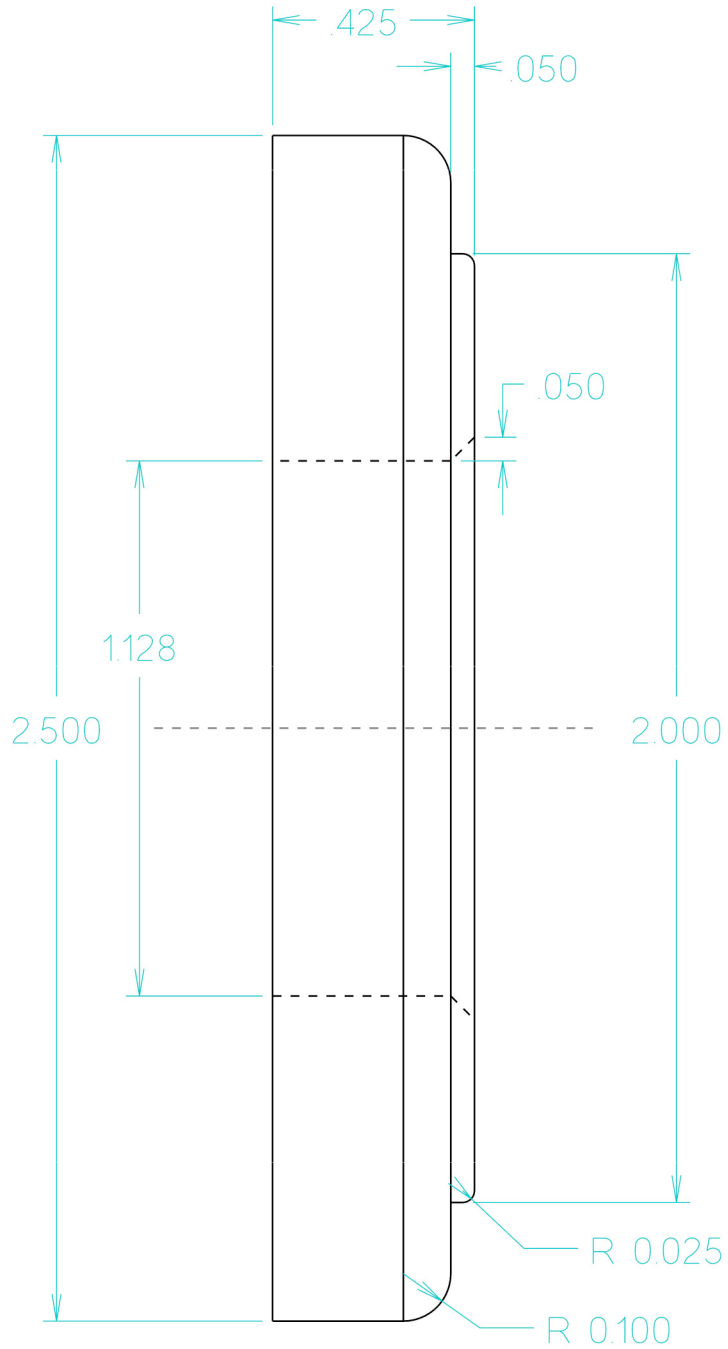





PROPRIETARY INFORMATION
 INFORMATION CONTAINED HEREIN IS THE PROPERTY OF HURCO COMPANIES, INC. NO REPRODUCTION OR DISCLOSURE OF THIS INFORMATION SHALL BE MADE BY THE RECIPIENT TO ANY OTHER PERSON OR ORGANIZATION WITHOUT THE PRIOR WRITTEN CONSENT OF HURCO COMPANIES, INC.



SURFACE TREATMENT NONE	EXCEPT AS NOTED: ALL CORNERS MUST BE AS FOLLOWS:	GENERAL TOLERANCES: UNLESS OTHERWISE SPECIFIED, ALL	 HURCO COMPANIES, INC. INDIANAPOLIS, IN 46268 U.S.A.					
		±						
HEAT TREATMENT NONE	EXCEPT AS NOTED: WELDING TOLERANCE MUST BE AS FOLLOWS: ±3	±	DESCRIPTION L-Intro3					
		±	DRAWN	DATE	CHECKED	DATE	APPROVED	DATE
FIRST USED ON	 	±	SCALE 1.5:1	SIZE A4	DRAWING		SHT 1	REV. 1
		ANGULAR ±0°30'	INCH					A